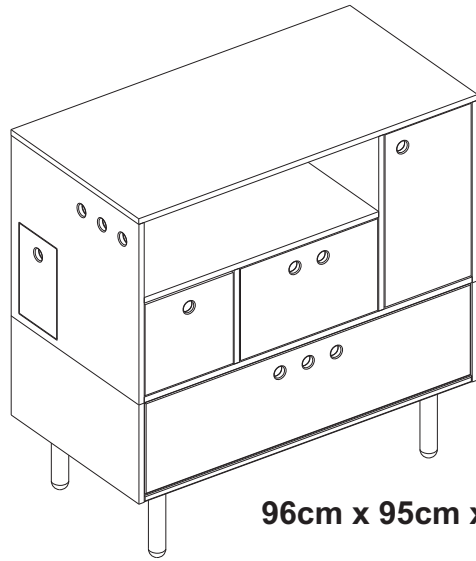


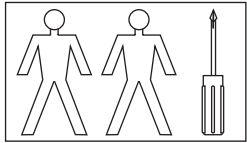
wood luck

River

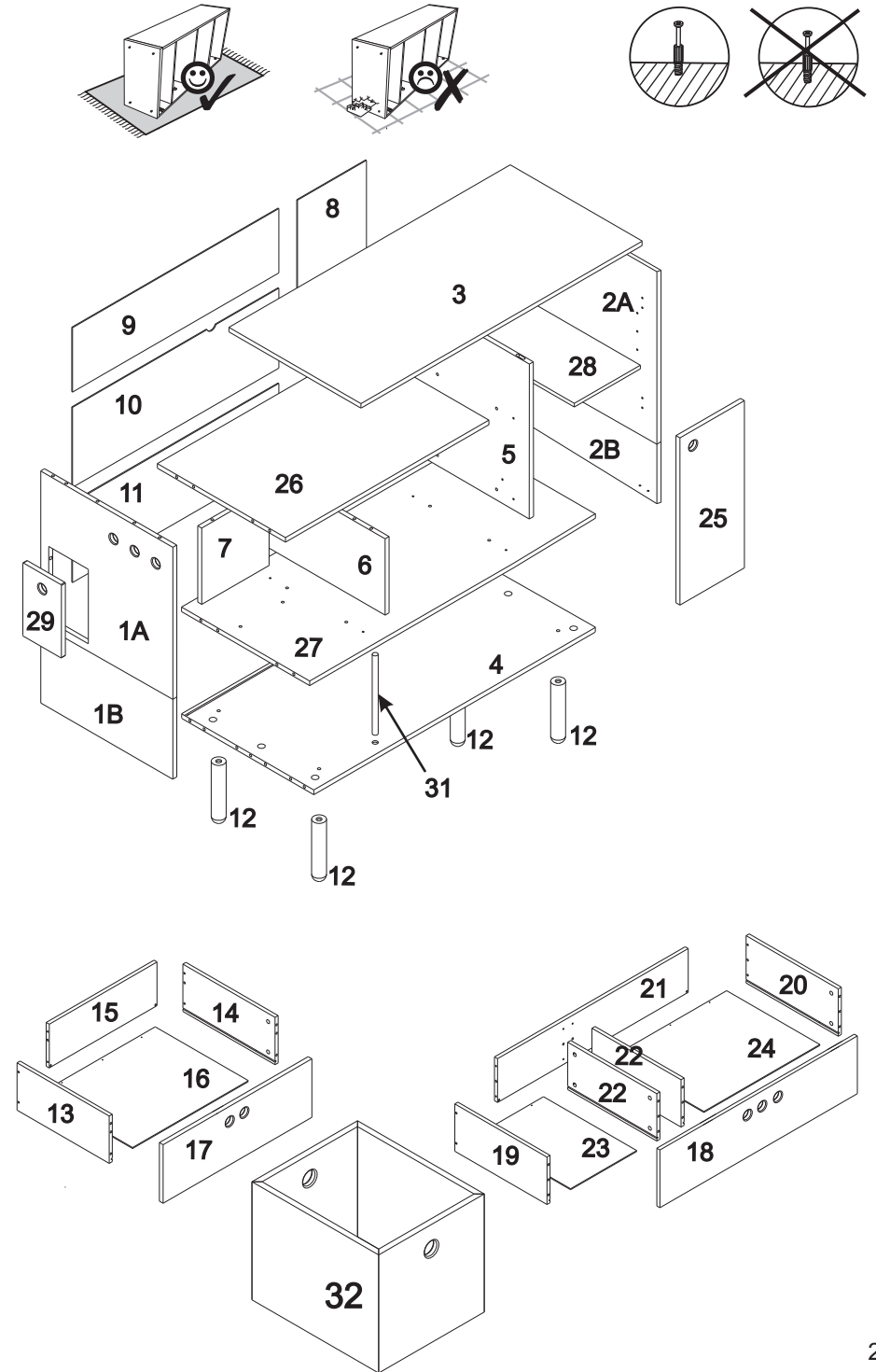
Commode / Komoda



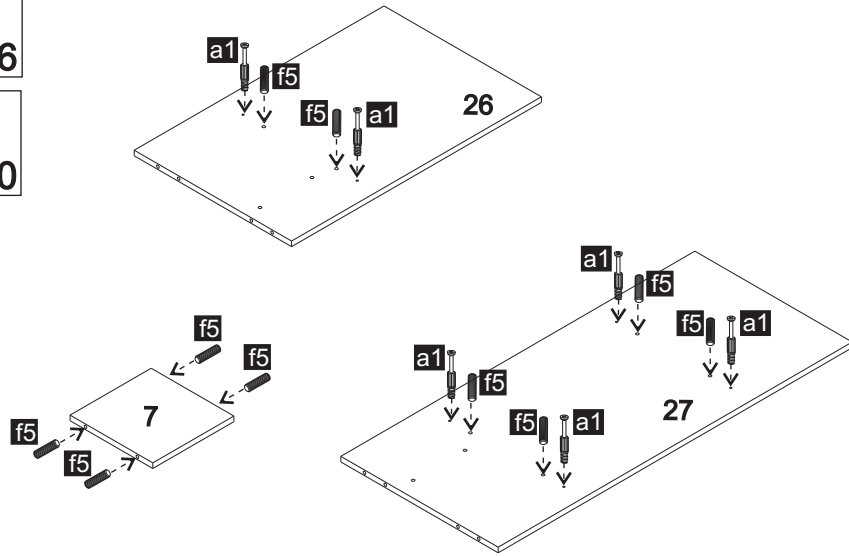
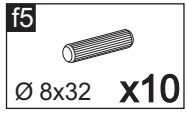
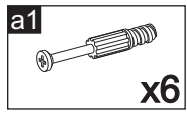
96cm x 95cm x 50cm



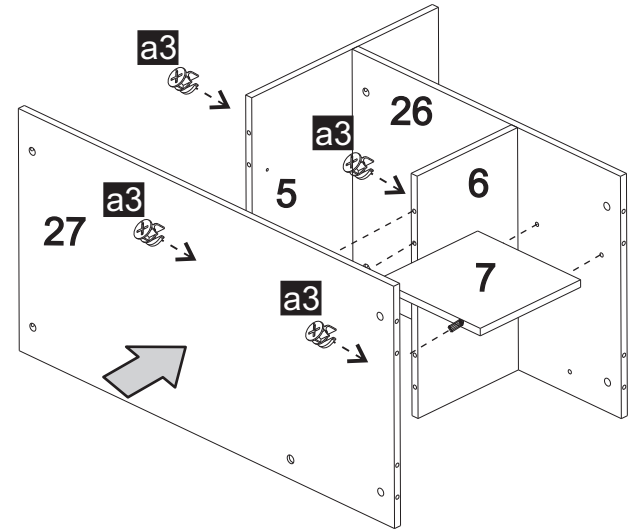
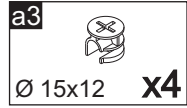
- | | | | | |
|---------------------------------|----------------------------------|---------------------------------|--------------------------------|---------------------------------|
| x1
 | x1
 | k9
 | Fs
 | h19
 |
| a4
L-84 x5 | a7
M6 / L=34 x1 | f6
Ø 8x50 x2 | f5
Ø 8x32 x51 | a1
x42 |
| a3
Ø 15x12 x53 | c3
Ø 3x20 x26 | k1
x14 | P10
L-400 x2 | P11
L-400 x2 |
| d2
Ø 6,3x10 x8 | i2
x4 | n1
x27 | b1
Ø 7x50 x8 | c4
Ø 3,5x13 x4 |
| d1
Ø 6,3x13 x4 | M2
x2 | z7
30x30x30 x4 | m6
x2 | o1
x1 |
| o2
x1 | c12
Ø 3,5x13 x2 | c15
Ø 3x13 x24 | | |



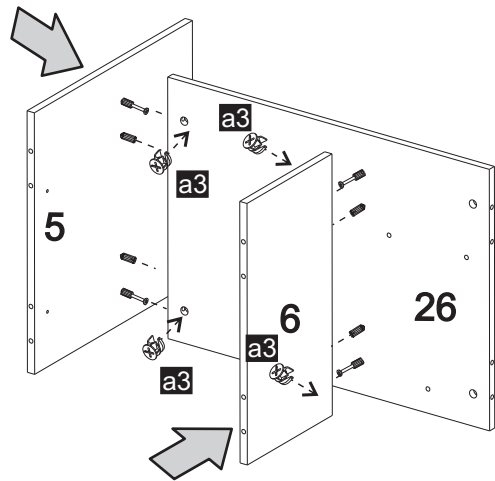
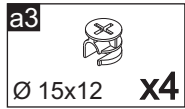
1



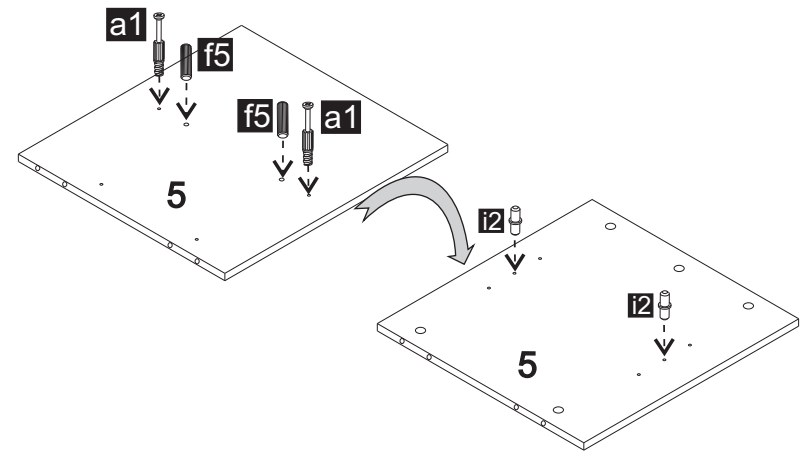
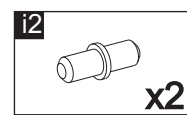
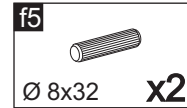
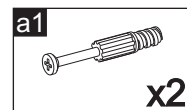
3



2

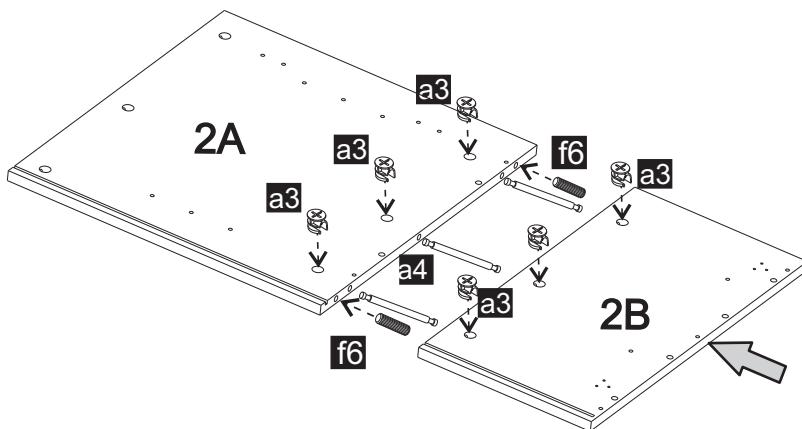
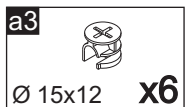
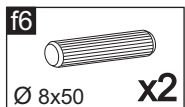
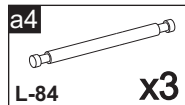


4



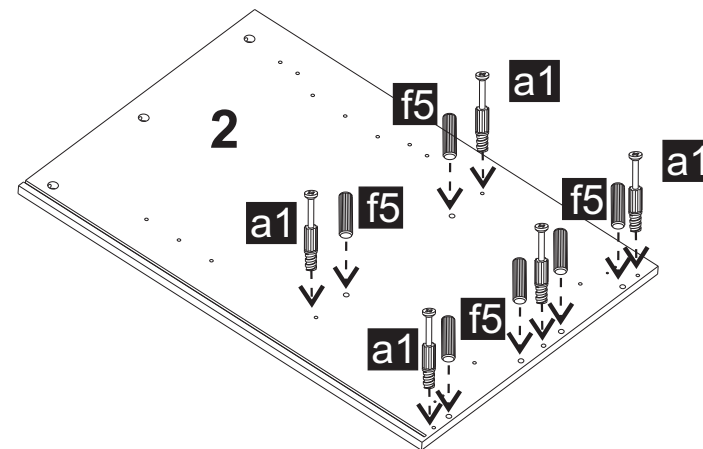
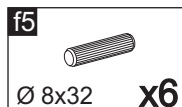
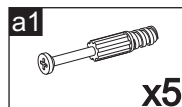
5

2=2A+2B



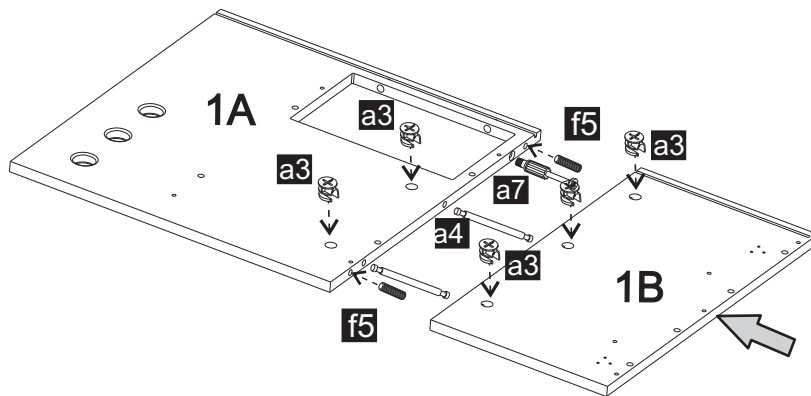
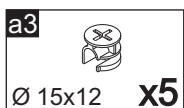
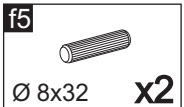
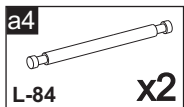
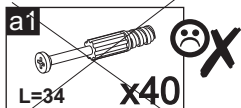
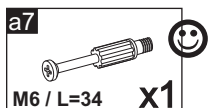
7

2=2A+2B



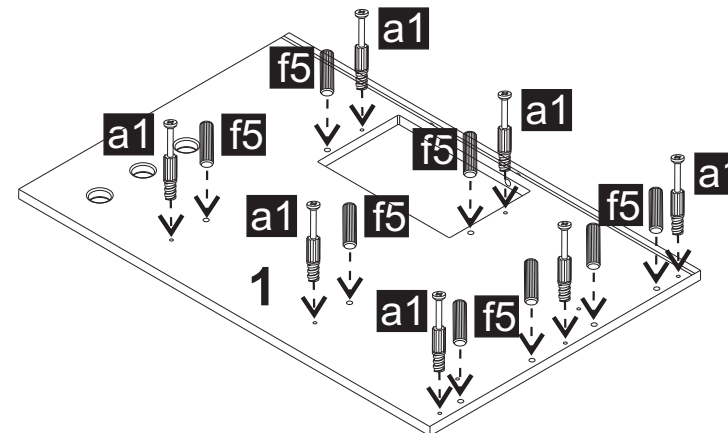
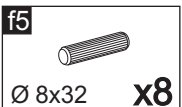
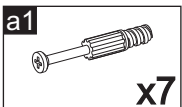
6

1=1A+1B



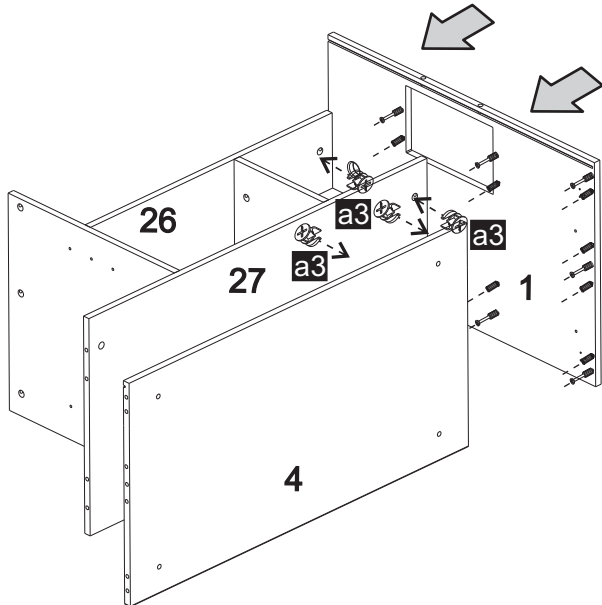
8

1=1A+1B



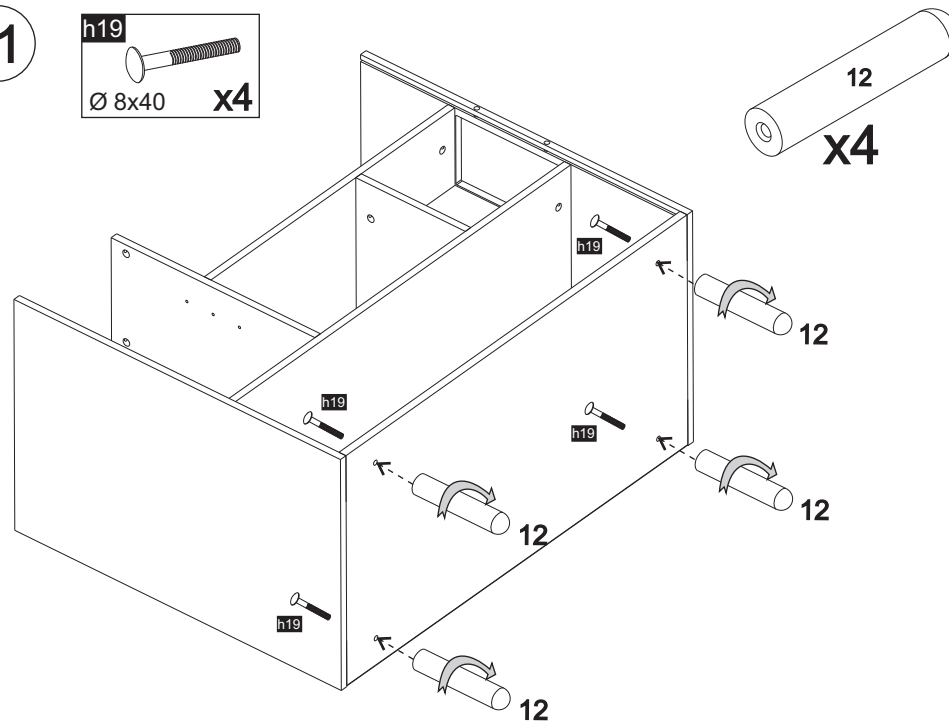
9

a3
Ø 15x12 x7



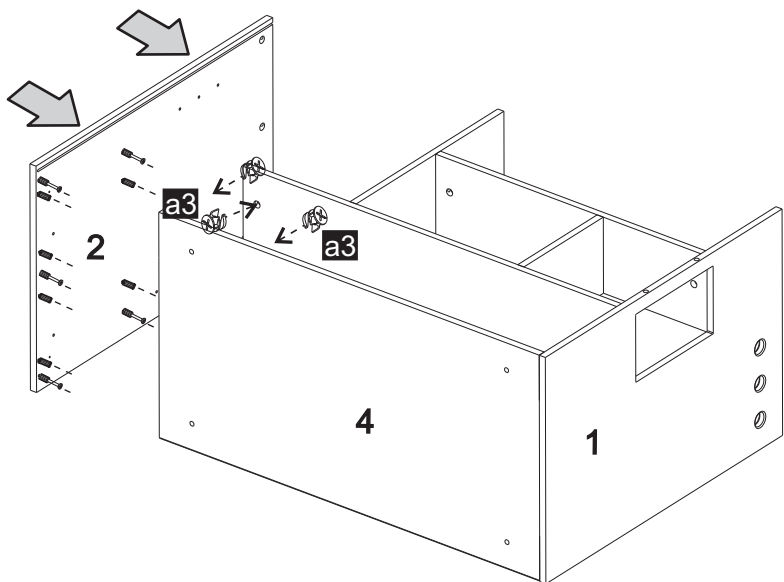
11

h19
Ø 8x40 x4

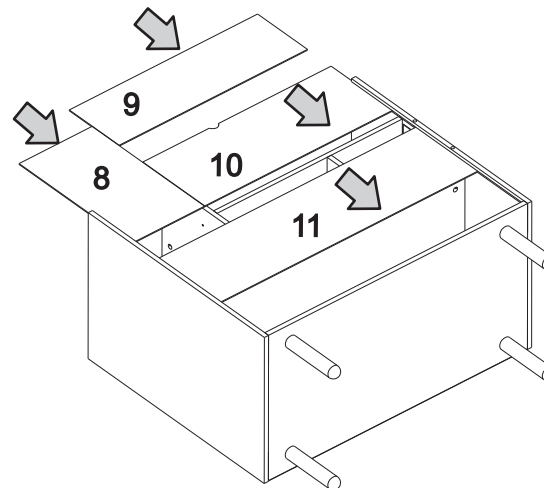


10

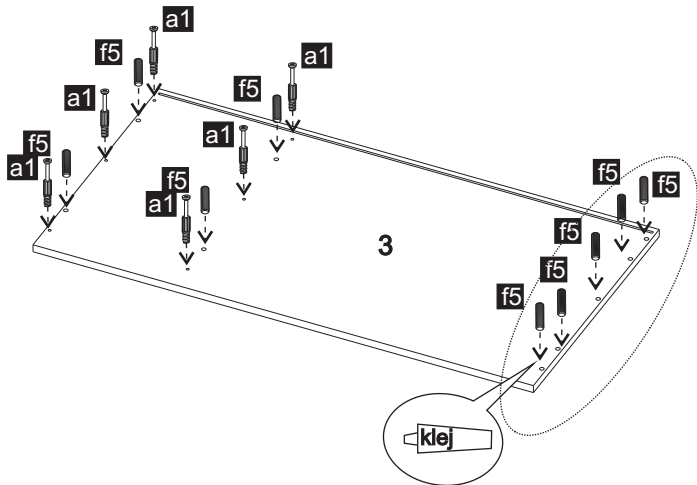
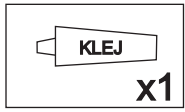
a3
Ø 15x12 x5



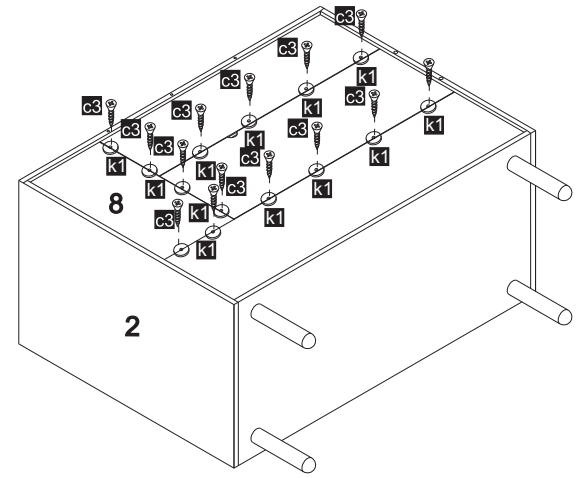
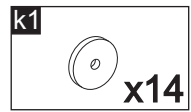
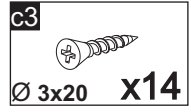
12



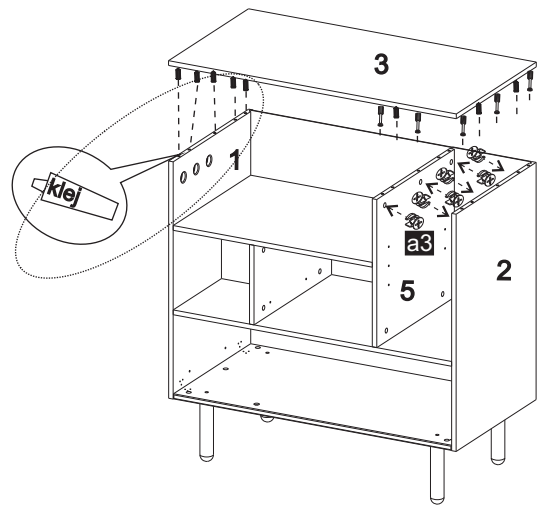
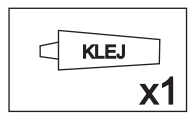
13



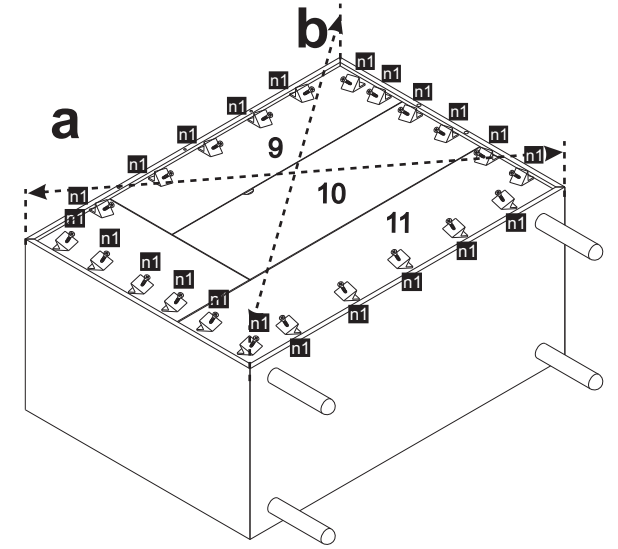
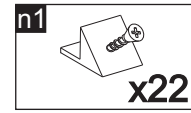
15



14



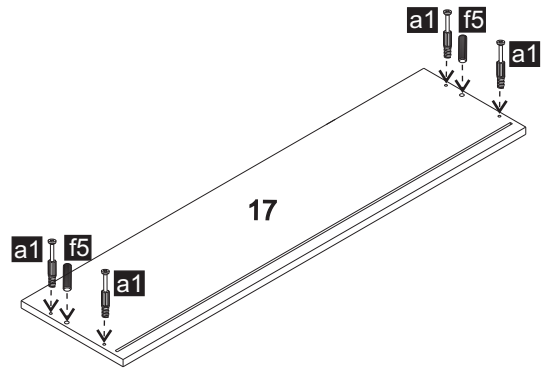
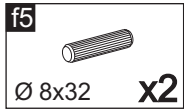
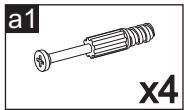
16



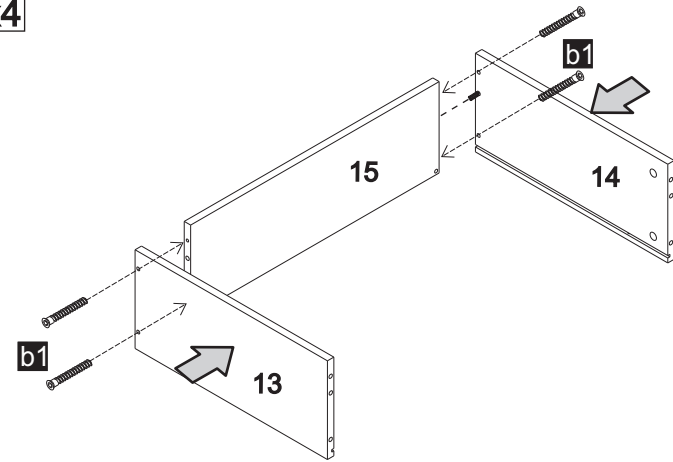
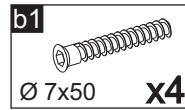
a=b



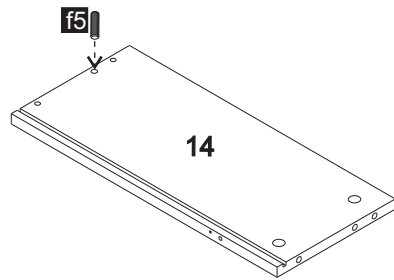
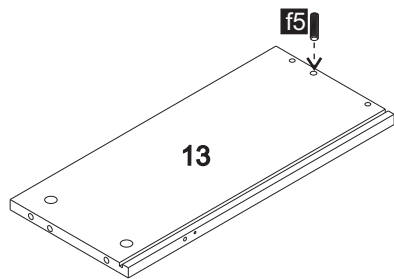
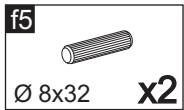
17



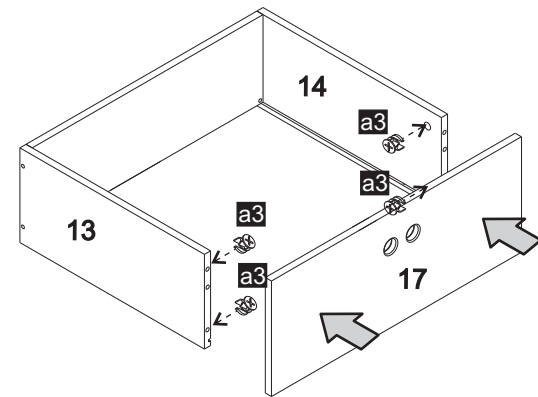
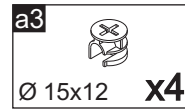
19



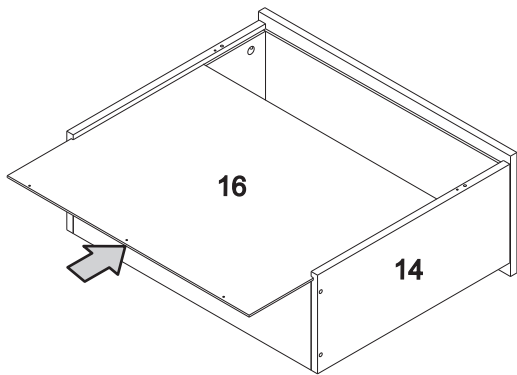
18



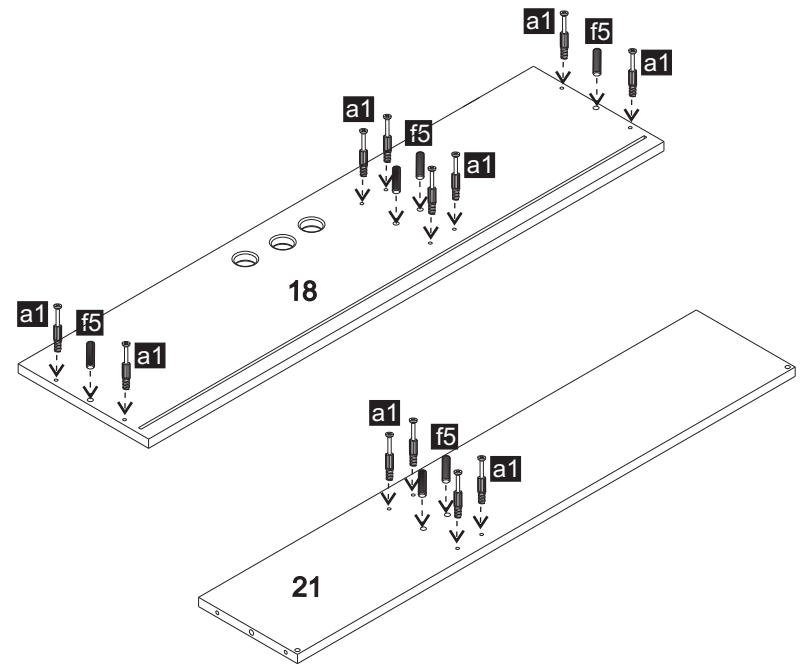
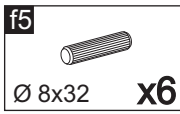
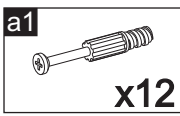
20



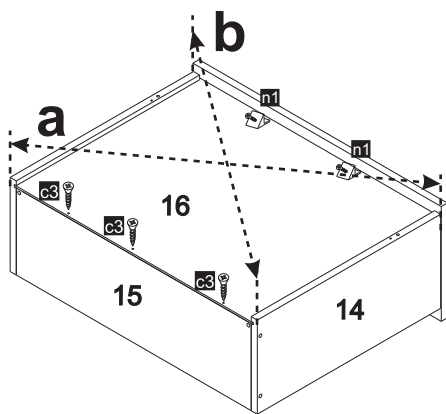
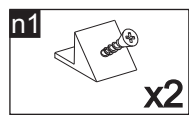
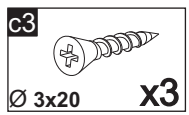
21



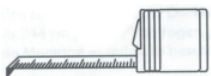
23



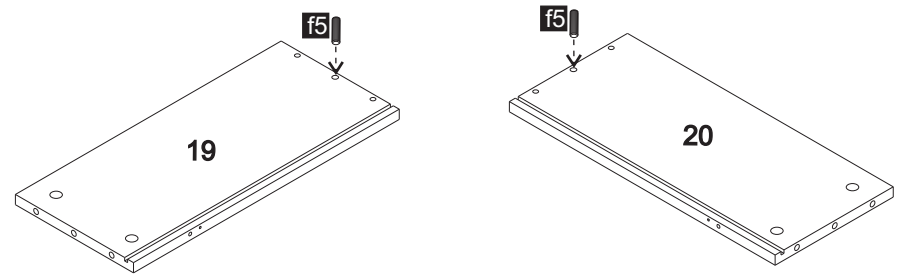
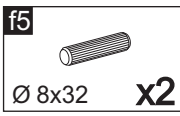
22



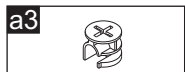
 **a=b**



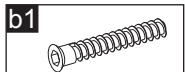
24



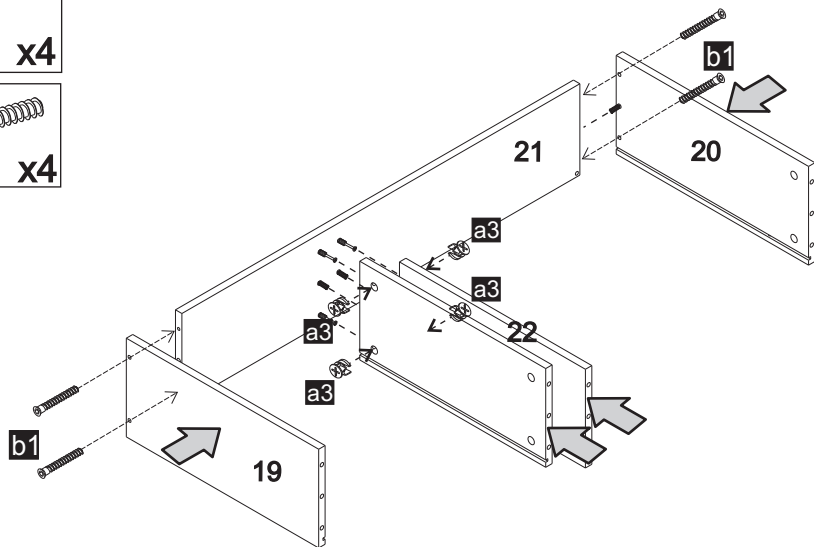
25



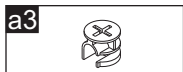
Ø 15x12 x4



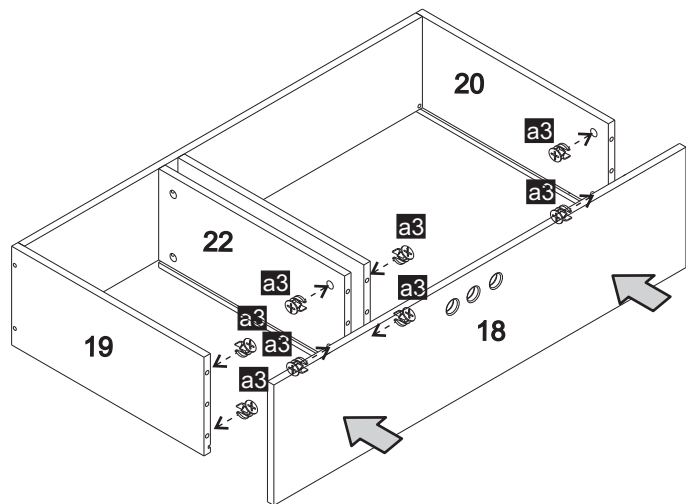
Ø 7x50 x4



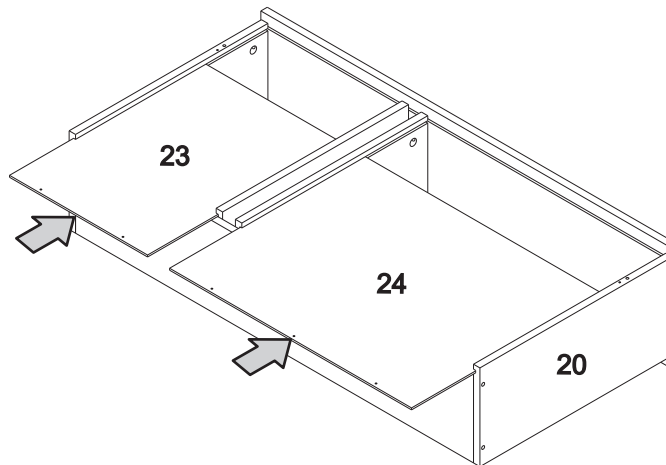
26



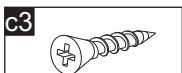
Ø 15x12 x8



27



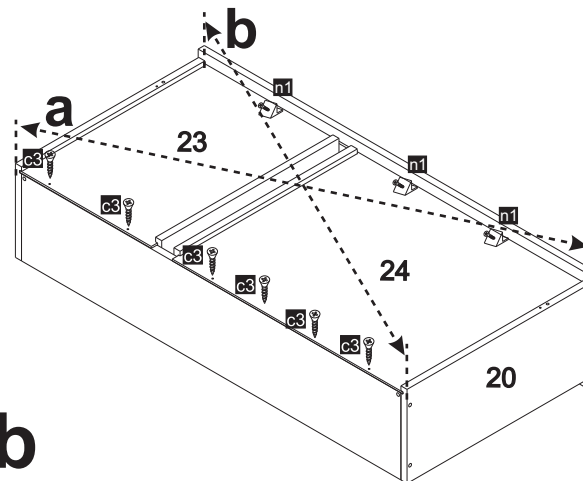
28



Ø 3x20 x6



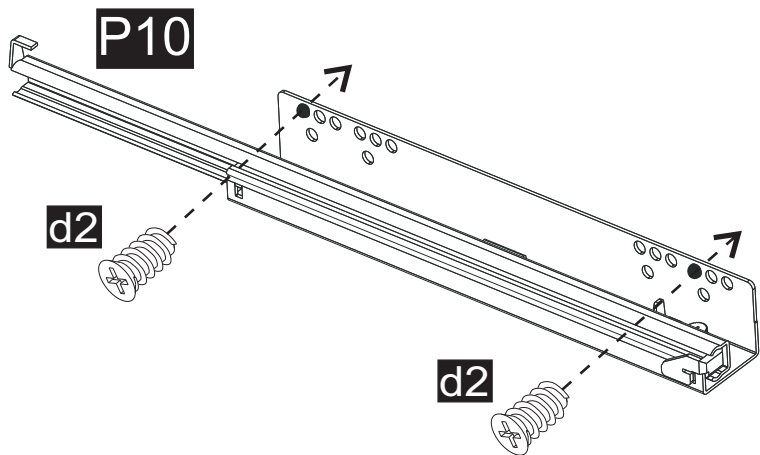
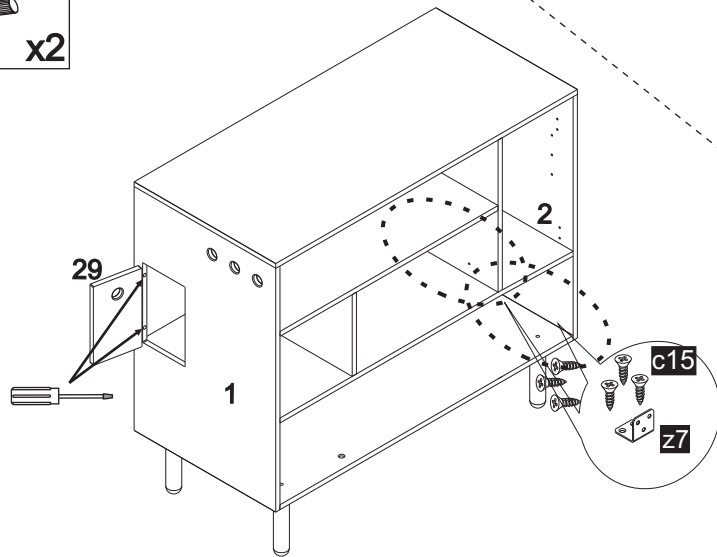
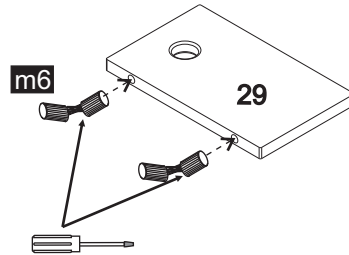
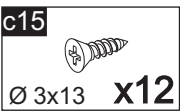
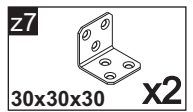
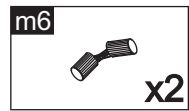
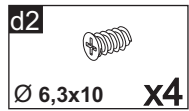
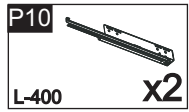
x3



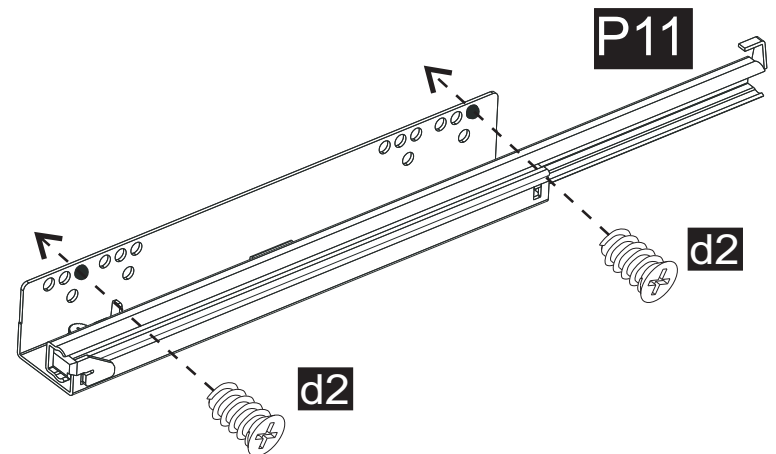
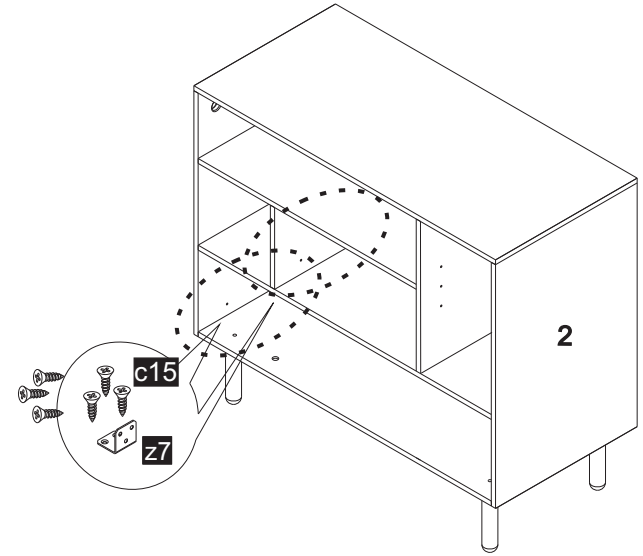
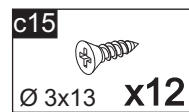
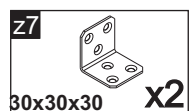
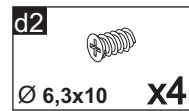
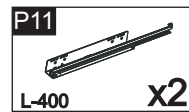
! a=b



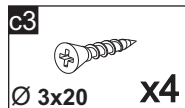
29 x2



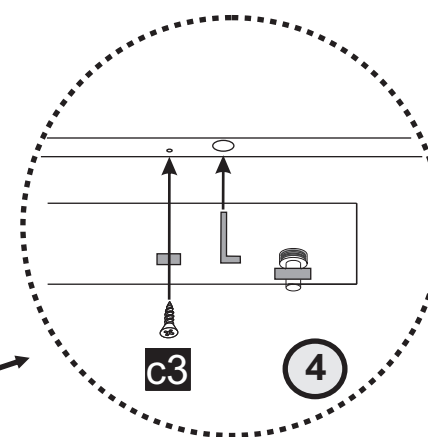
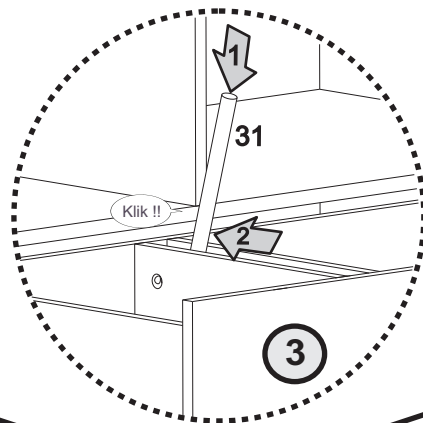
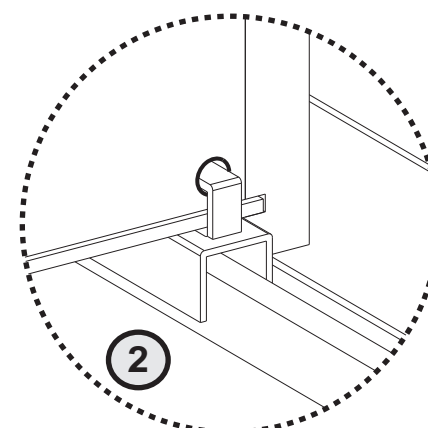
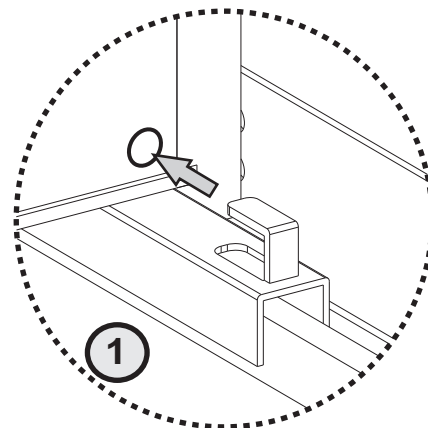
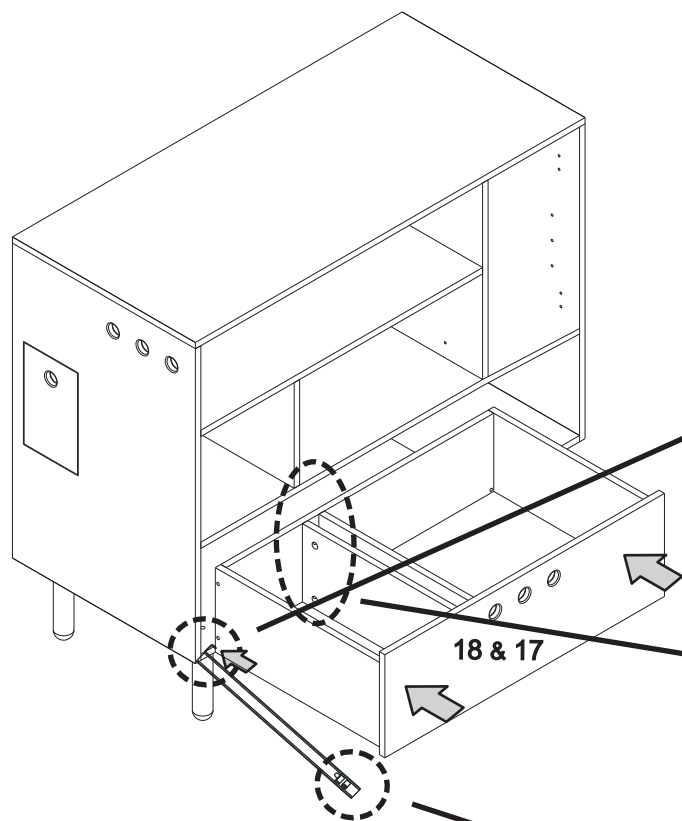
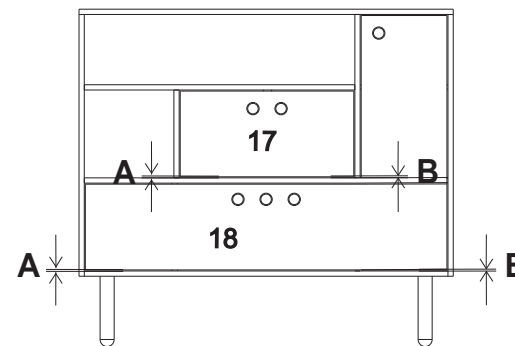
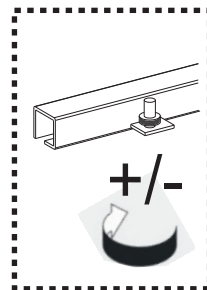
30 x2



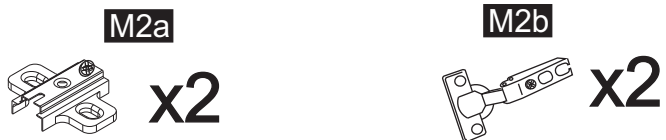
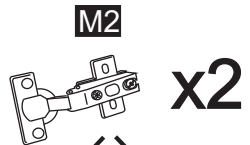
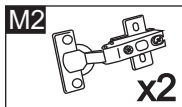
31 x2



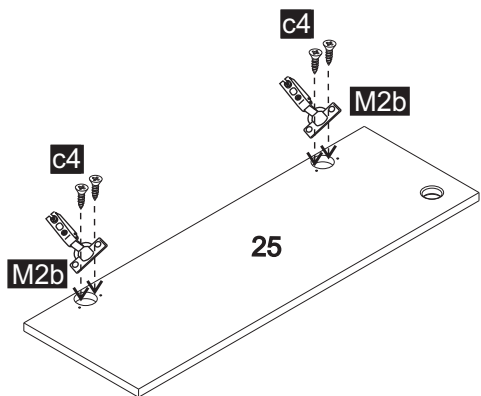
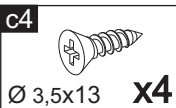
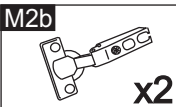
32



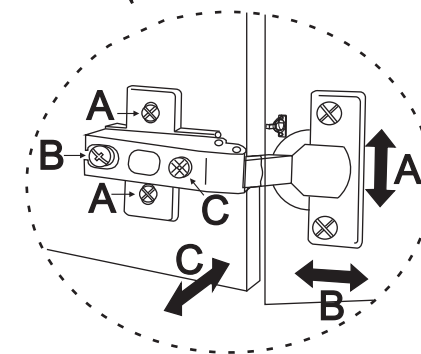
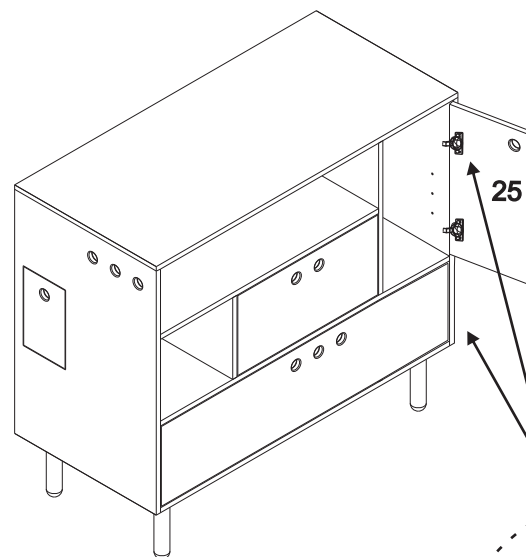
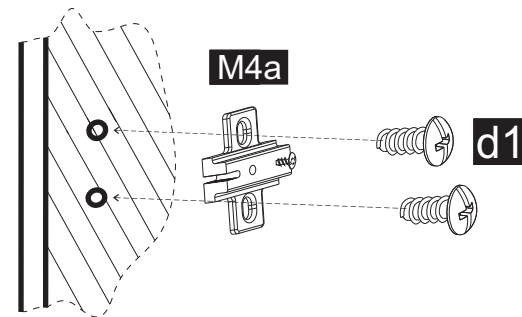
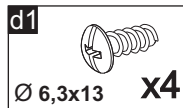
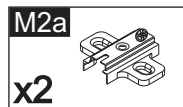
33



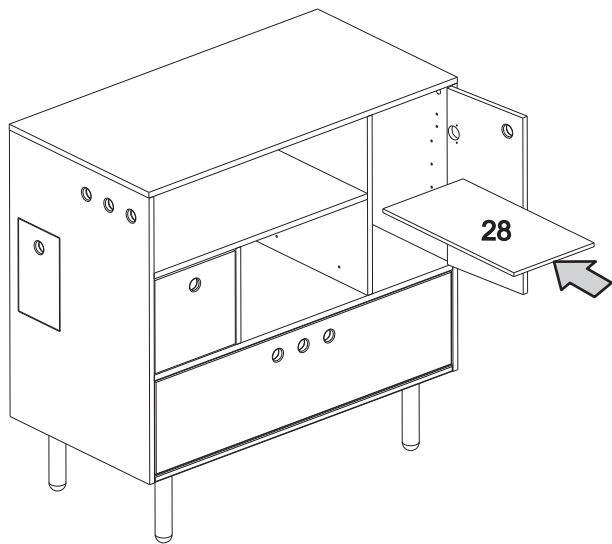
34



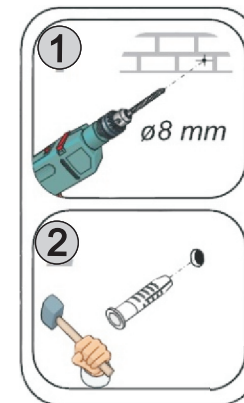
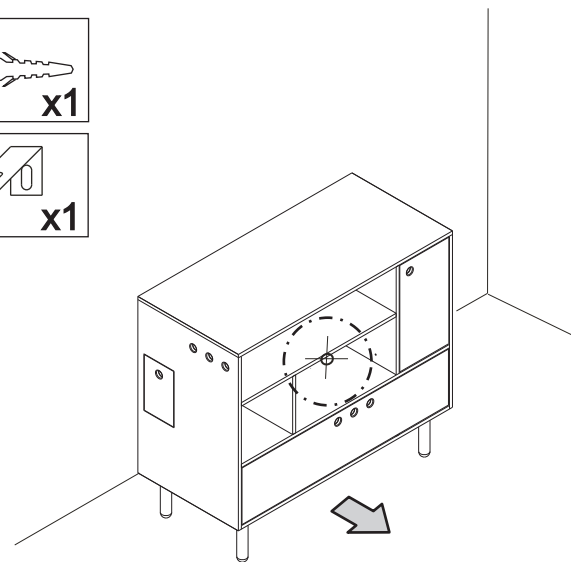
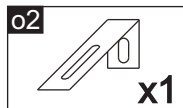
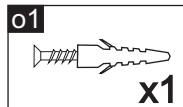
35



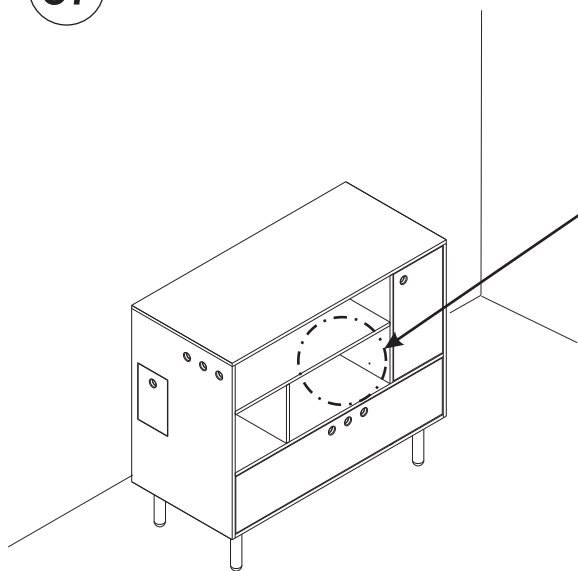
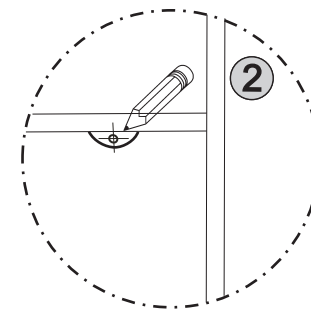
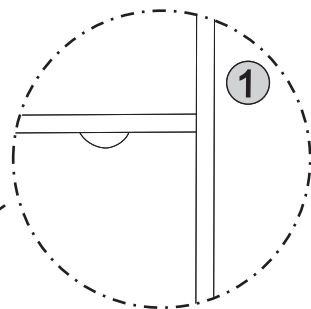
36



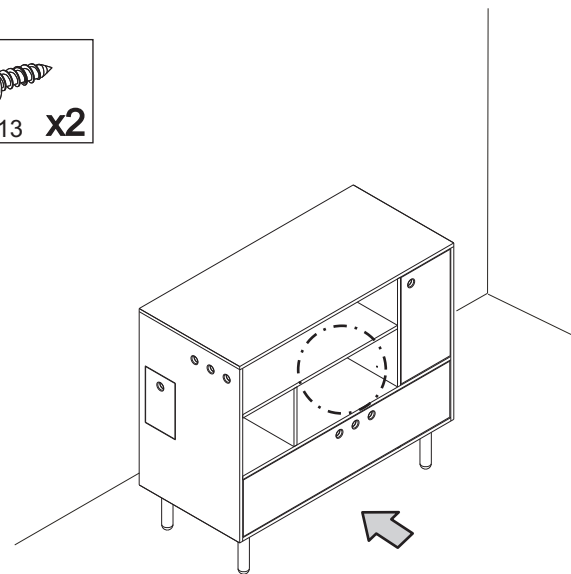
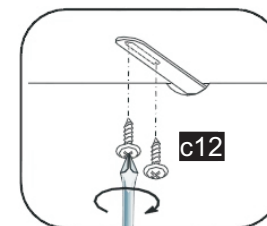
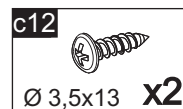
38



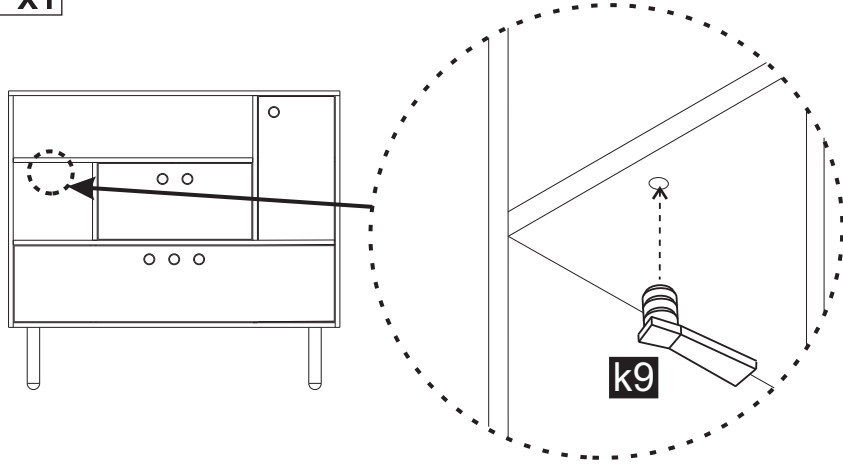
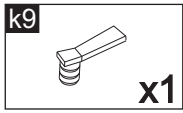
37



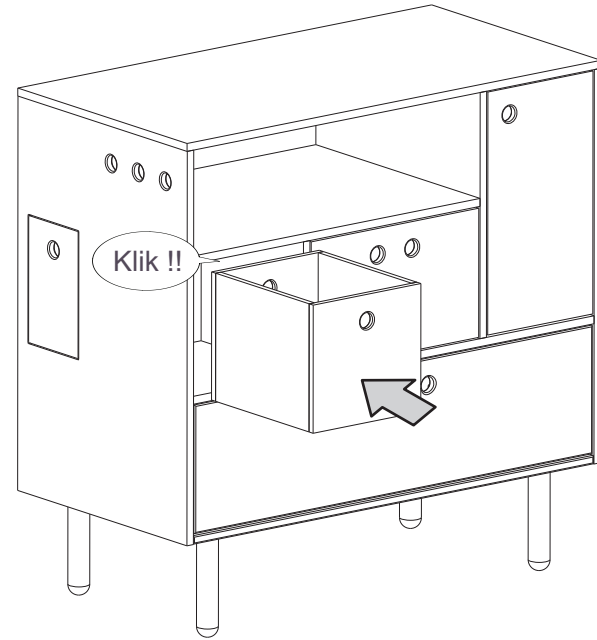
39



40



42



41

